

MCB Changes

All AC Motor System Treadmills:

Starting August 2010 there will be a change of the MCB.

- New P/N 715-3881 for 110 volt systems
- New P/N 715-3880 for 220 volt systems

Some components on the old system have been designed into the new MCB and are no longer needed.

This document explains the changes that have been made and the difference between the old and new system.

Components Not Needed with New MCB

The following diagrams (Fig. 1 and 2) show the old system and have the parts highlighted that won't be part of the new system. Figure 3 shows the wiring diagram of the old system.

- Resistors and Brackets (Items No. 21, P/N: 715-3588 and Item No. 15, P/N: 170-0688)
- Power Supply (Item No. 25, P/N: 715-3784)
- Fan Cable (Item No. 24, P/N 715-3674)

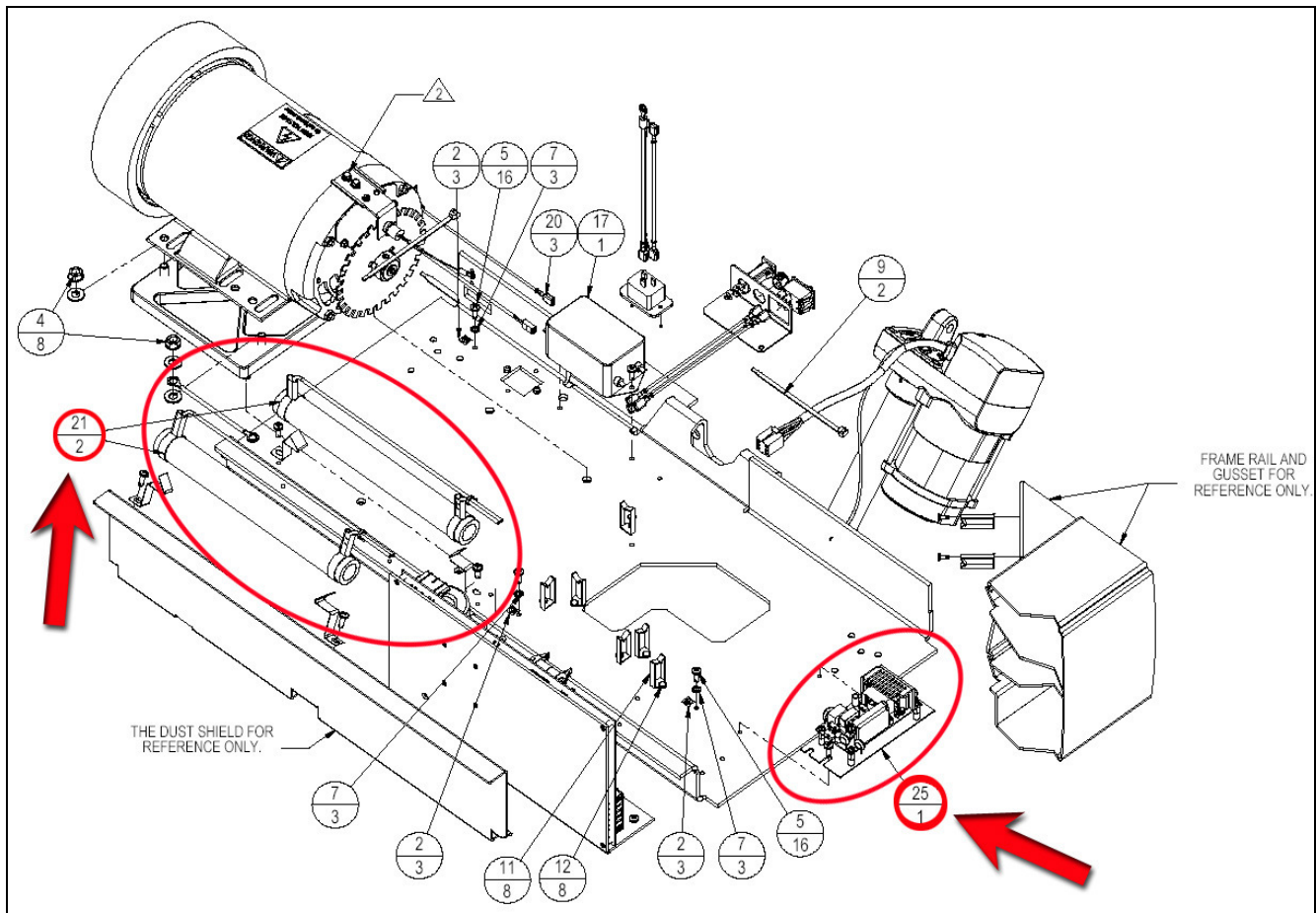


Fig. 1

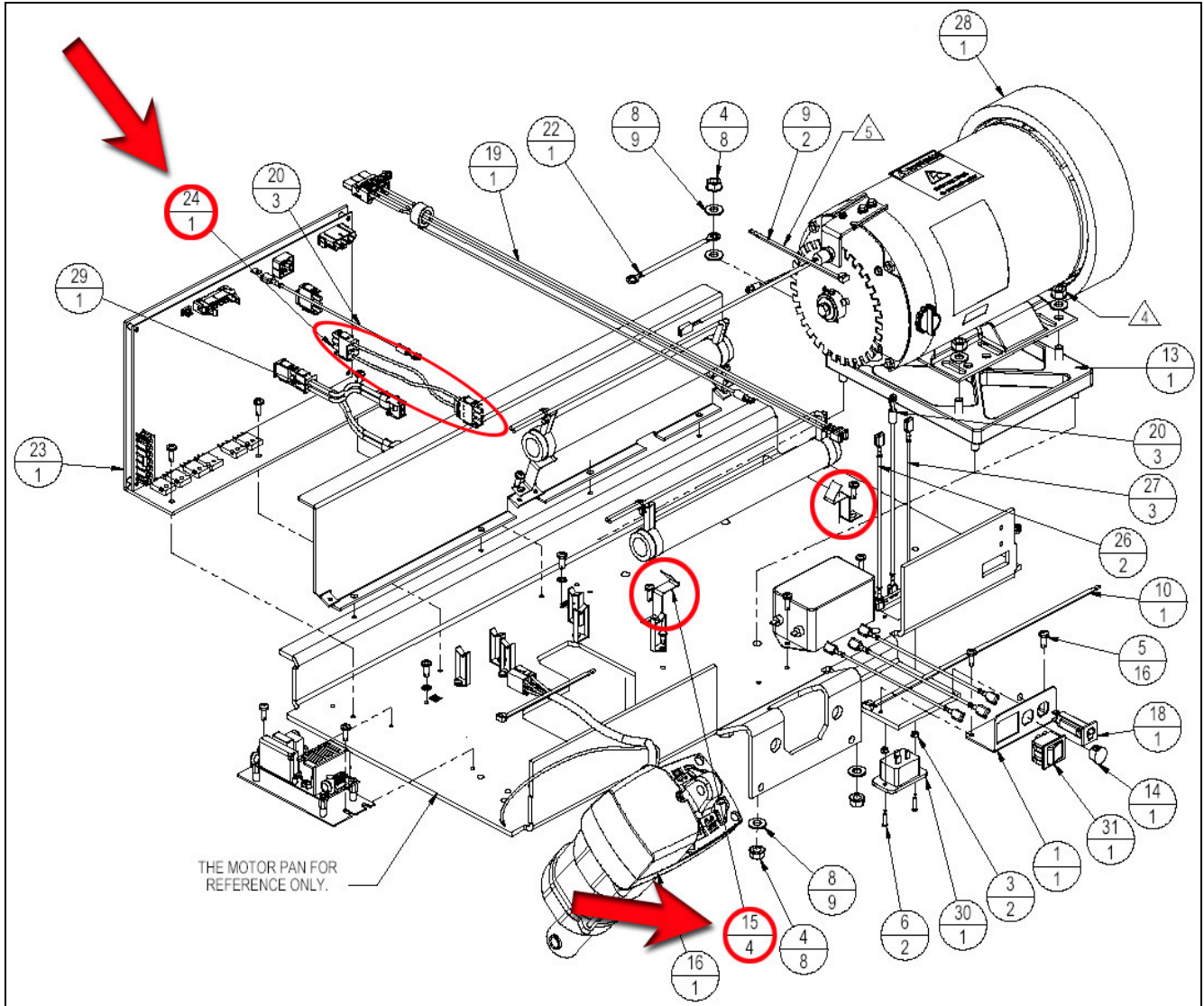


Fig. 2

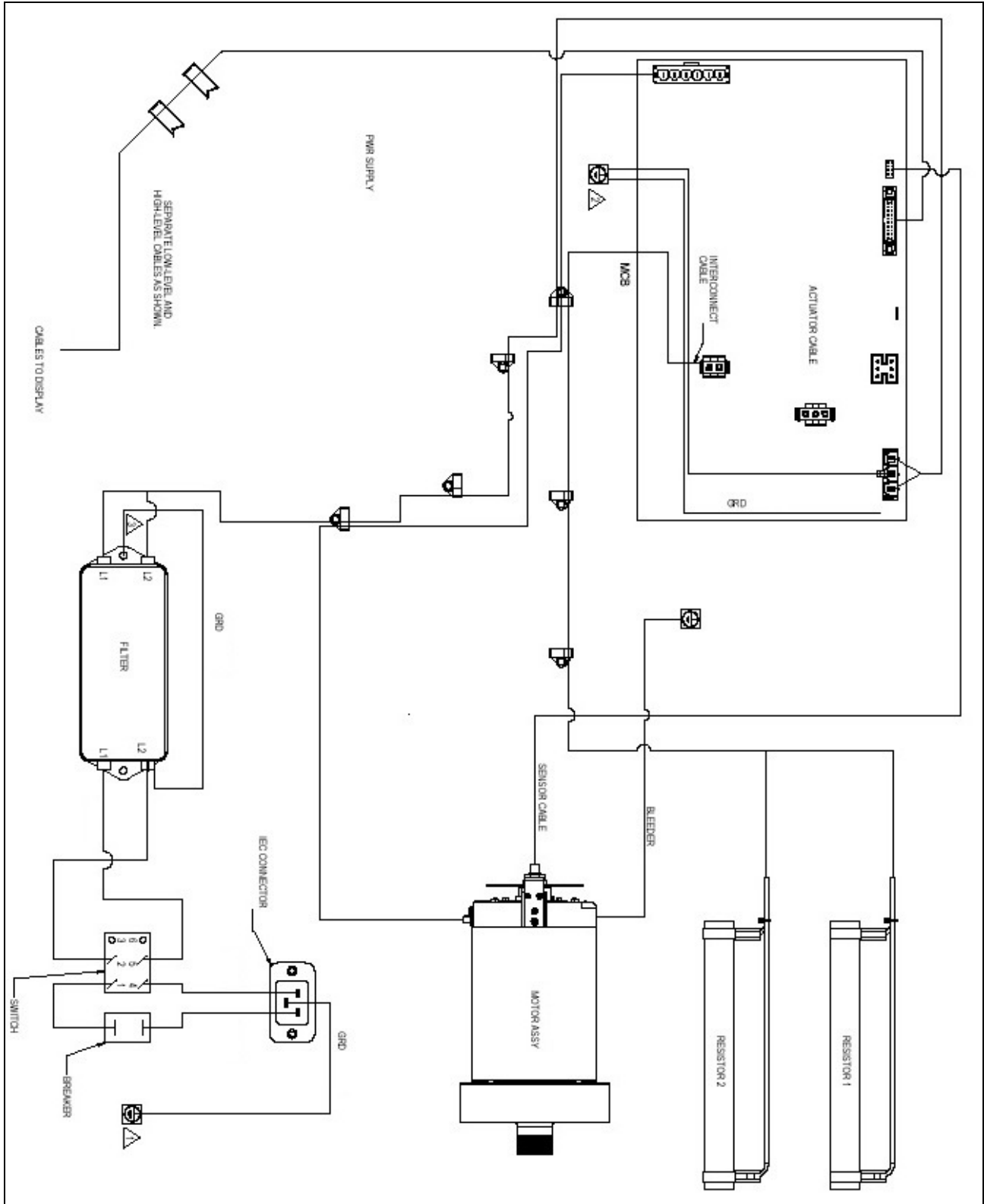


Fig.3

New AC System:

The new MCB's are backwards compatible with all **AC** Motor System Treadmill:

- P-Series 7600/7700 (still requires the FCB "Fan Control Board" and the cable that goes from the FCB to the MCB)
- E-Series Treadmills
- S-TRc Treadmill

If you use the new MCB to replace the old version you may leave the unnecessary components unplugged (resistors and power supply) on the motor pan.

Serial Number Cut In for 110V units:

E-TR/E-TRe

- TREN1008-U21673 and up

E-TRx/E-TRxe

- TREX1008-U21673 and up

S-TRc serial number cut in:

- Not available as of today

Serial Number Cut In for 220V units:

E-TR/E-TRe

- TREN1008-U21250 to TREN1008-U21254
- TREN1008-U21276 and up

E-TRx/E-TRxe

- TREX1008-U21276 and up

S-TRc serial number cut in:

- Not available as of today

Figure 4 and 5 below show a drawing of the new system followed by Figure 6 which shows the wiring diagram of the new system (110V/220V).

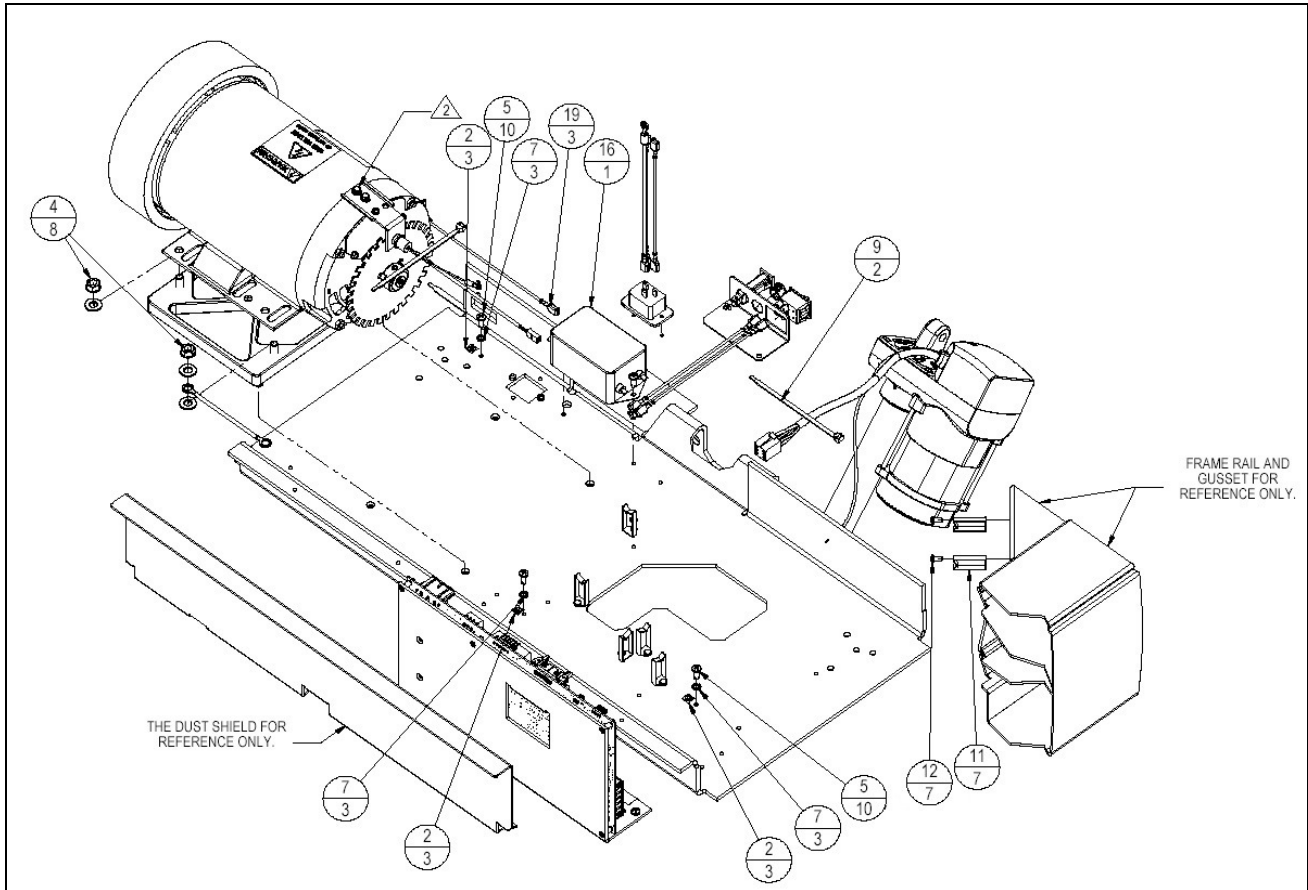


Fig. 4

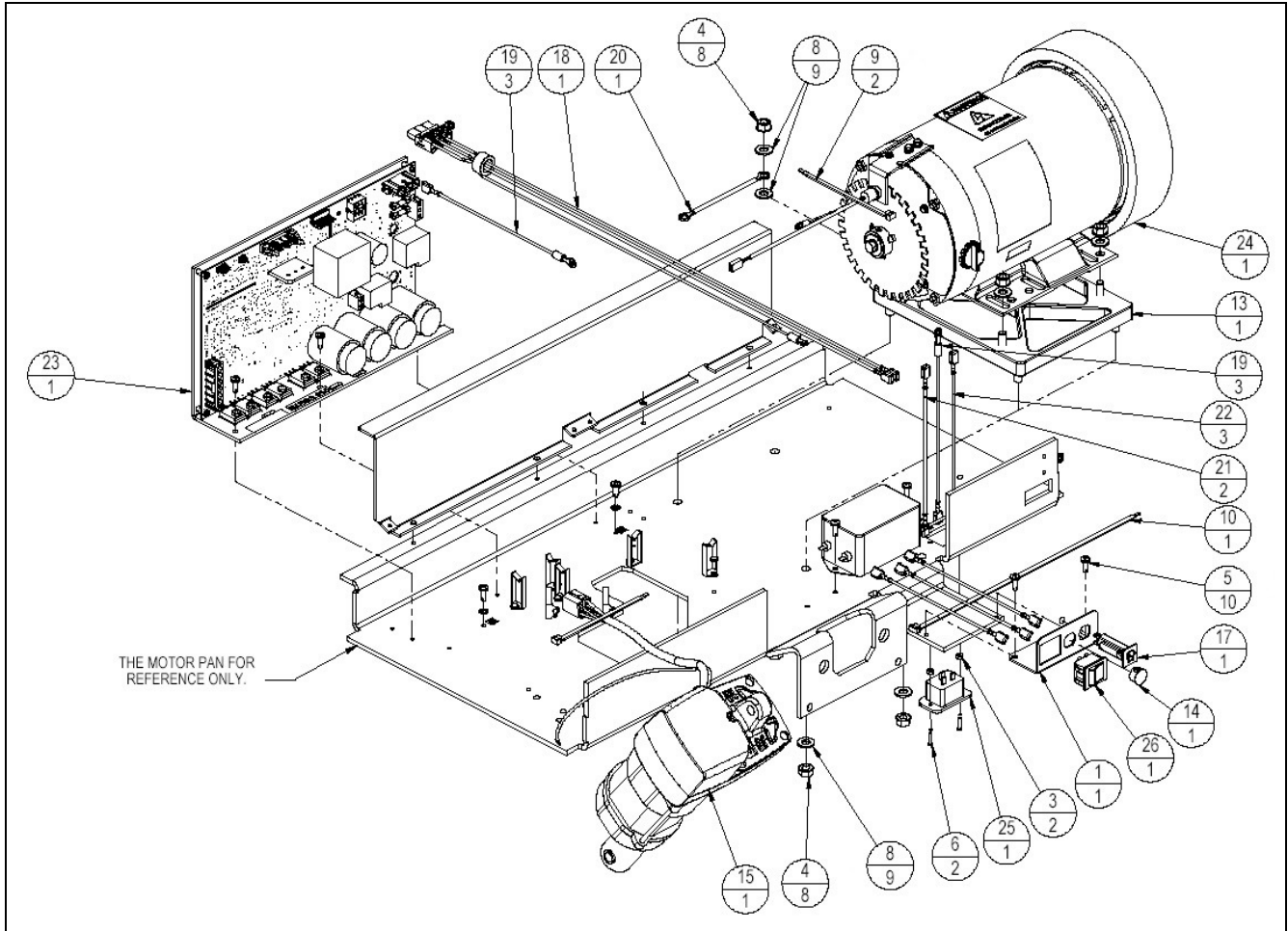


Fig. 5

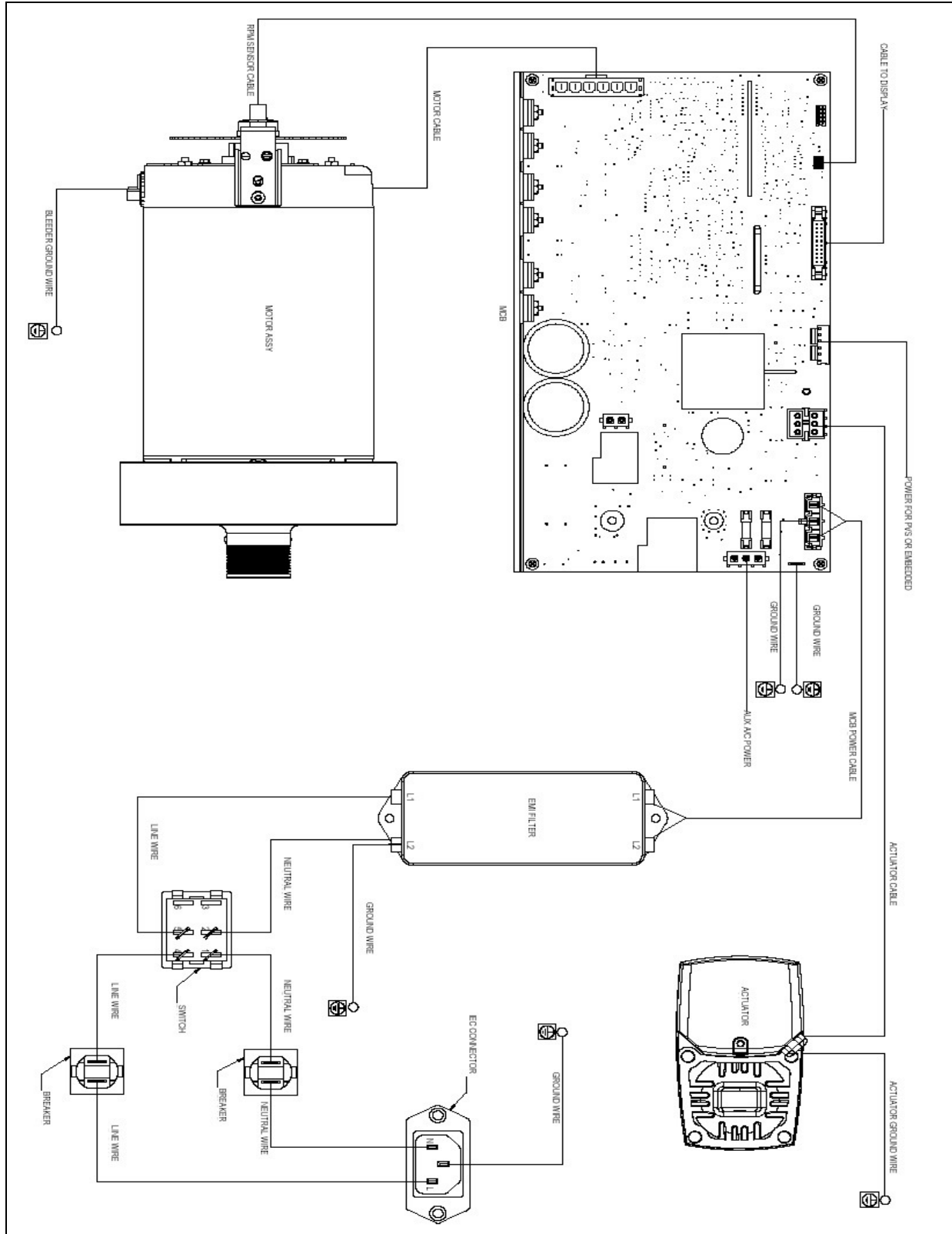


Fig. 6

You may encounter some MCB's where the connector that delivers power to the PVS or embedded head (see actual location of this connector in Fig. 7 below) has 6 pins but the connector that plugs in is only a 4 pin connector. In this case plug the connector into the middle and keep one pin on the left and one pin on the right free (Fig. 8). Carefully cut the two outer pins to prevent future confusion.

Always turn the unit off and unplug it from the wall power outlet before working on any electronic component.

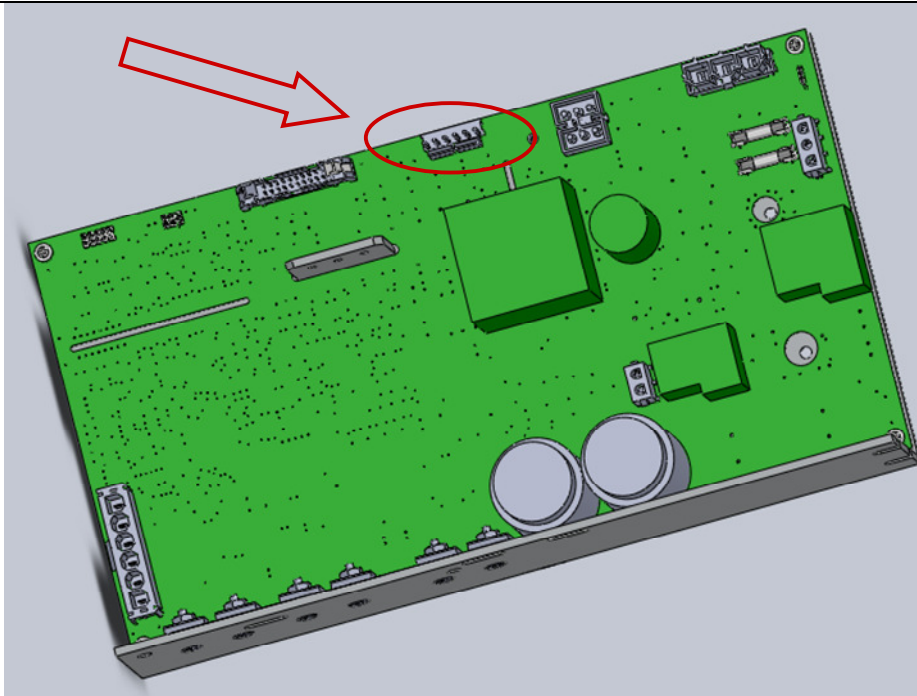


Fig. 7

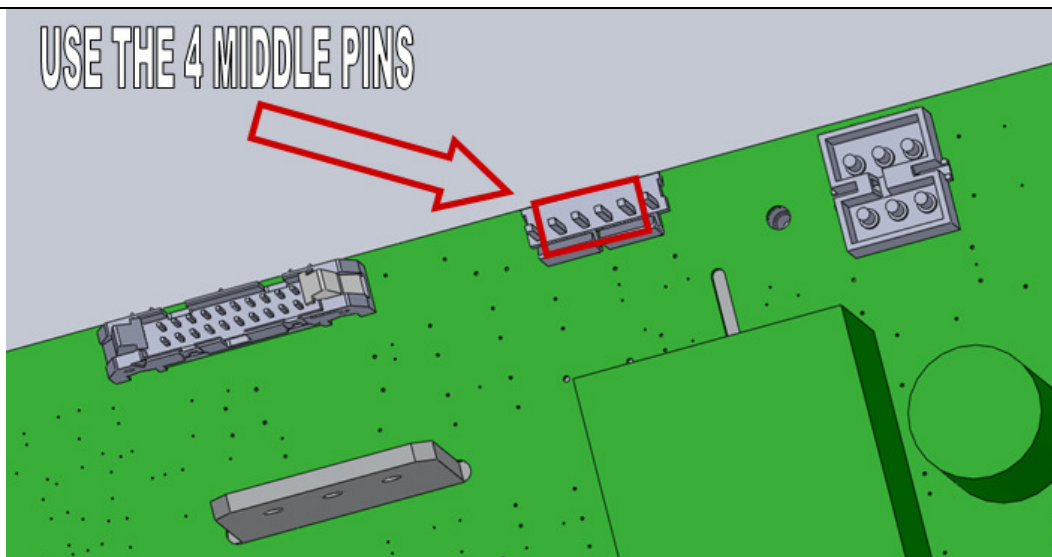


Fig. 8